

Wired Magnetic Sensor installation guide

Read instructions carefully before beginning

Please make sure your gate is closed before you start installation.

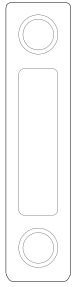
The Gogogate product and our wired magnetic sensors are meant to be used with gate operators equipped with photo-eye safety sensors. These sensors are normally found at the bottom of your gate and avoid accidental closing of your gate if an object or person is on the path of the gate.



TO PREVENT SERIOUS INJURY OR DEATH FROM MOVING GARAGE DOORS OR GATES:

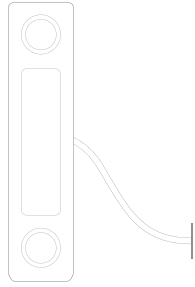
- DO NOT let children use the Gogogate product and app without adult supervision.
- ONLY Operate your Gogogate device when you are in clear view of your garage or gate and you have verified that there are no objects obstructing the operation of the door. ALWAYS wait for garage door or gate to be completely closed.
- NEVER operate the remote access feature of your Gogogate without ensuring that there is an adult physically present in front of the door or gate validating that it is safe to start the remote operation of your device.

STEP 1 - PLACE YOUR SENSORS ON A ROLLER DOOR OR GATE



A

Place this part on the gate / roller door



B

Place this part on the wall

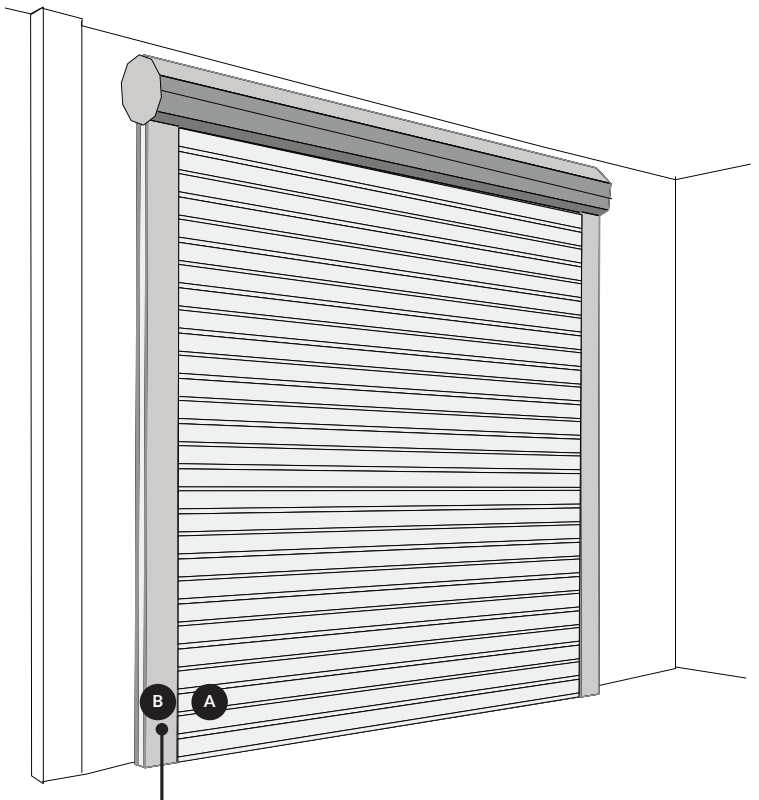
Always install your wired magnetic sensors with your sliding gate, swing gate or roller door in a closed position.

On sliding gates or roller doors part A should be mounted on the gate/roller door and part B should be mounted on the wall or fix part of the gate/roller door. Please make sure you place the sensor on the side closer to the Gogogate device.

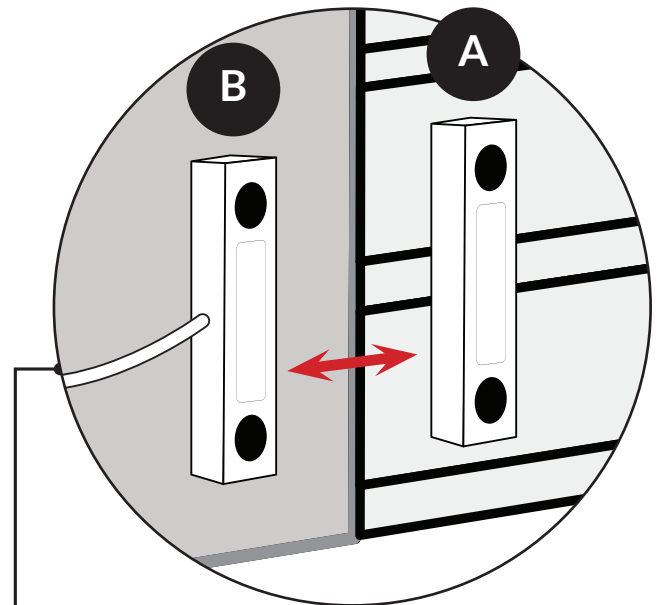
On swing gates, part B should be mounted on the gate that is closer to the Gogogate device. Part A should be placed on the other gate.

A) Installation on a Roller Door

Attach your magnetic wired sensors to your roller door as per drawing below.



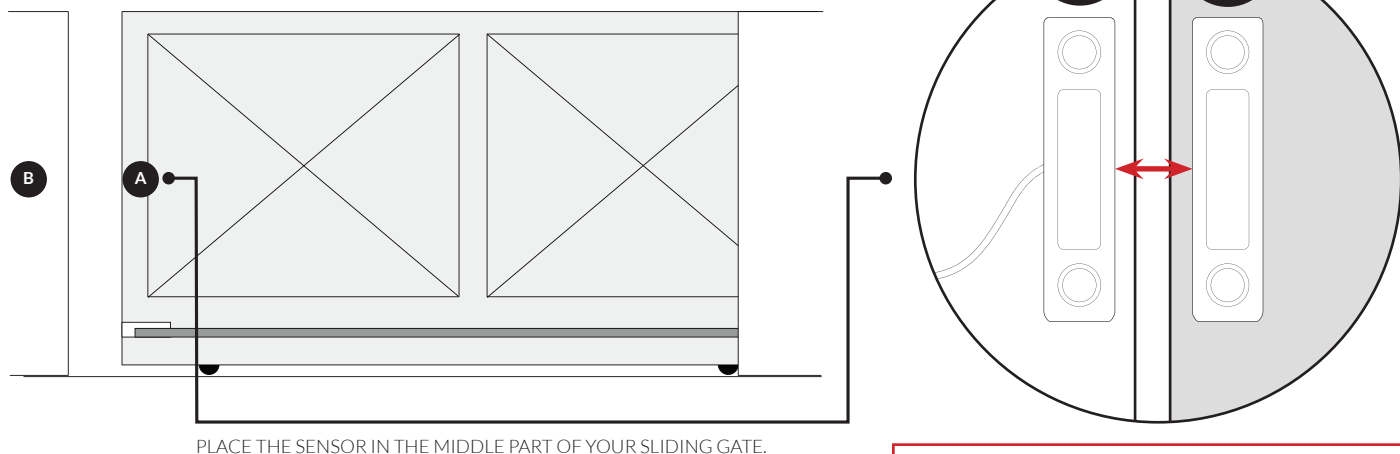
PLACE THE SENSOR ON THE LOWER PART OF YOUR ROLLER DOOR.



MAKE SURE THE GAP BETWEEN PART B AND PART A IS LESS THAN **1.25 INCH (3 CM)**.

B) Installation on a Sliding Gate

Attach your magnetic wired sensors to your roller door as per drawing below.



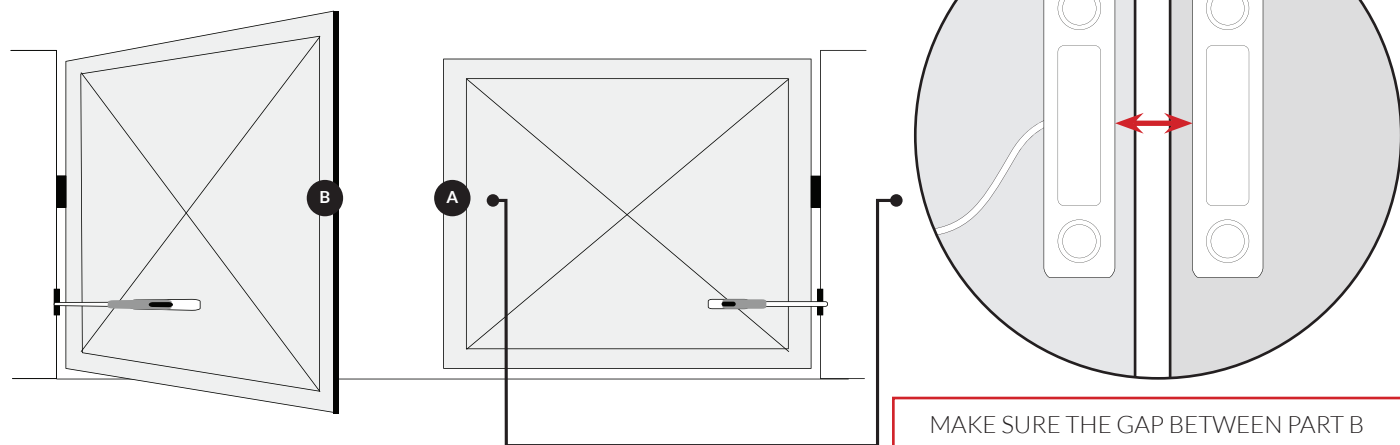
PLACE THE SENSOR IN THE MIDDLE PART OF YOUR SLIDING GATE.

MAKE SURE THE GAP BETWEEN PART B AND PART A IS LESS THAN **1.25 INCH (3 CM)**.

C) Installation on a Swing Gate

Attach your magnetic wired sensors to your roller door as per drawing below.

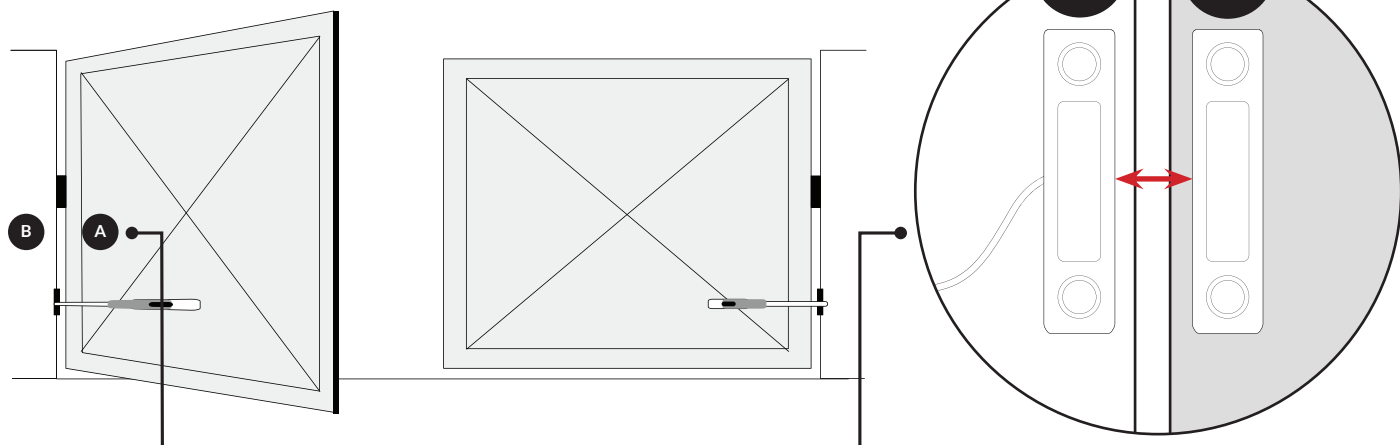
Option A



PLACE PART B OF THE SENSOR IN THE MIDDLE PART OF THE GATE CLOSER TO THE GOGOGATE DEVICE.

MAKE SURE THE GAP BETWEEN PART B AND PART A IS LESS THAN **1.25 INCH (3 CM)**.

Option B

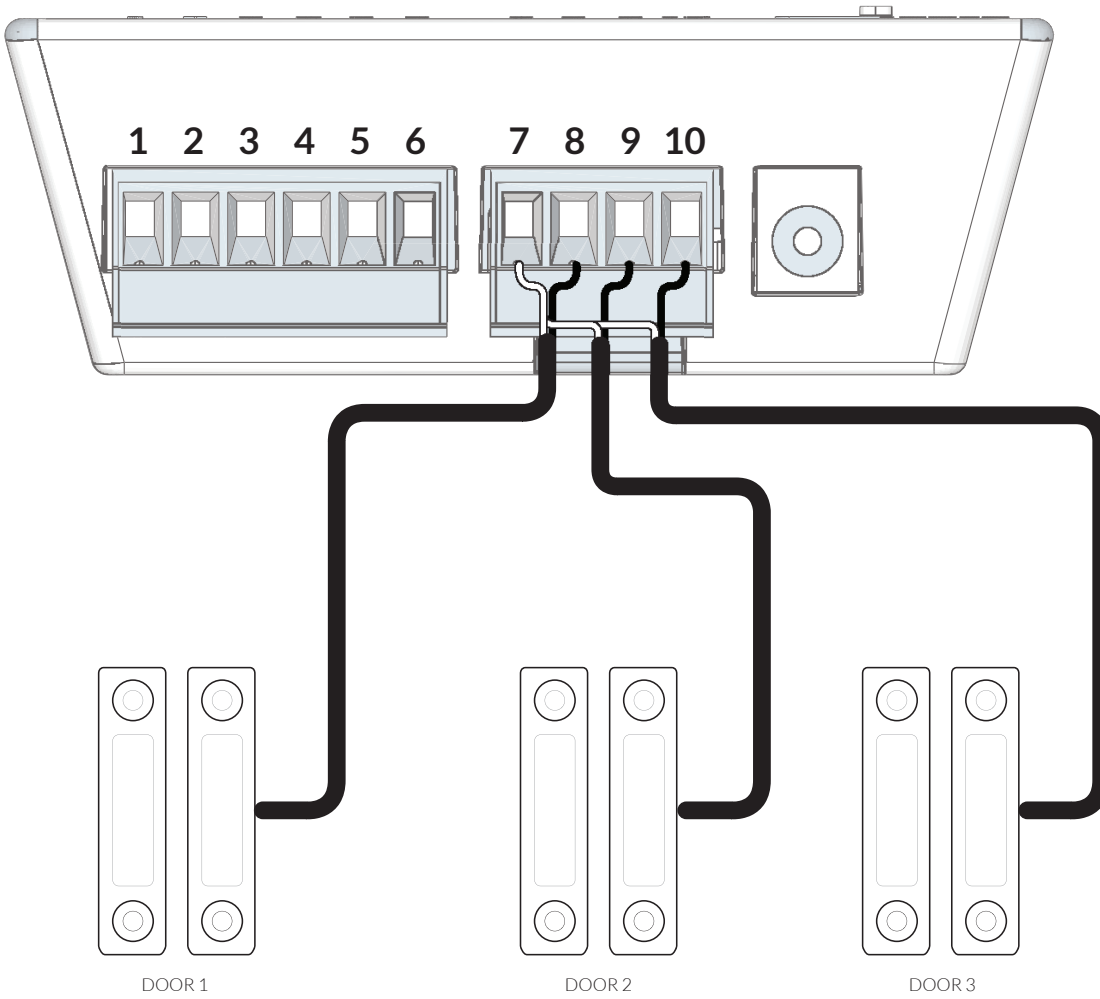


PLACE THE SENSOR IN THE MIDDLE PART OF YOUR SLIDING GATE.

MAKE SURE THE GAP BETWEEN PART B AND PART A IS LESS THAN **1.25 INCH (3 CM)**.

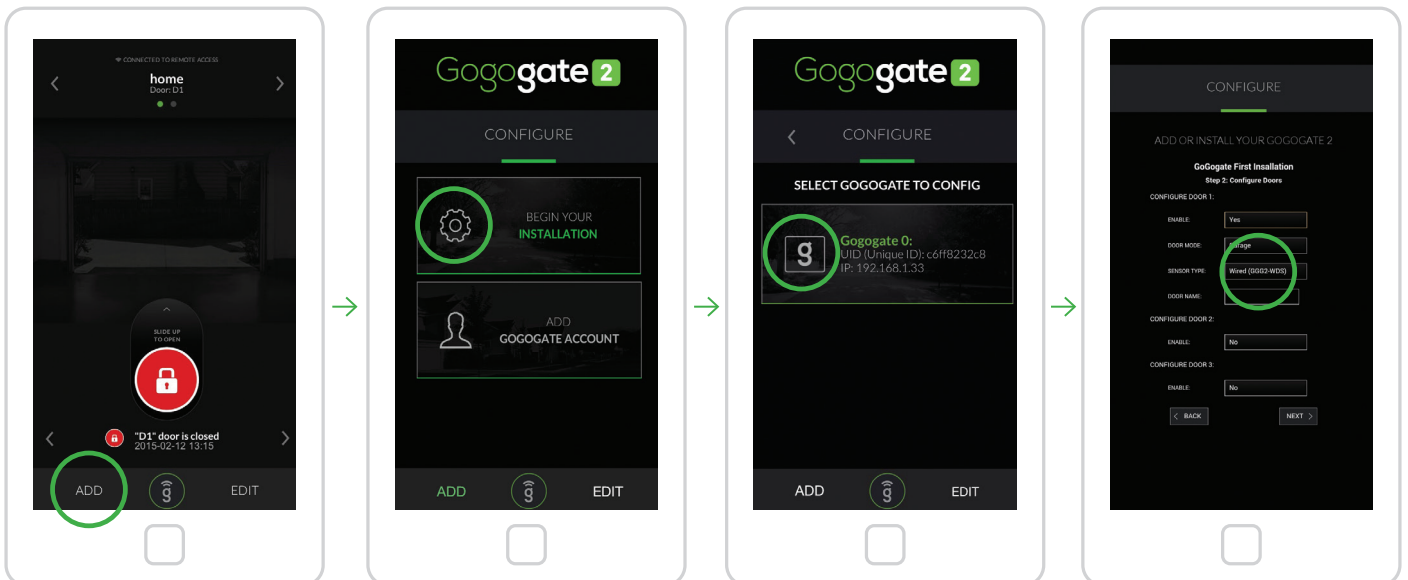
STEP 2 - CONNECT GGG2-WDS TO GOGOGATE2 DEVICE

Connect your GGG2-WDS to your Gogogate 2 device as per instructions below.
When connecting wired sensors to Gogogate 2 device, polarity does not matter.

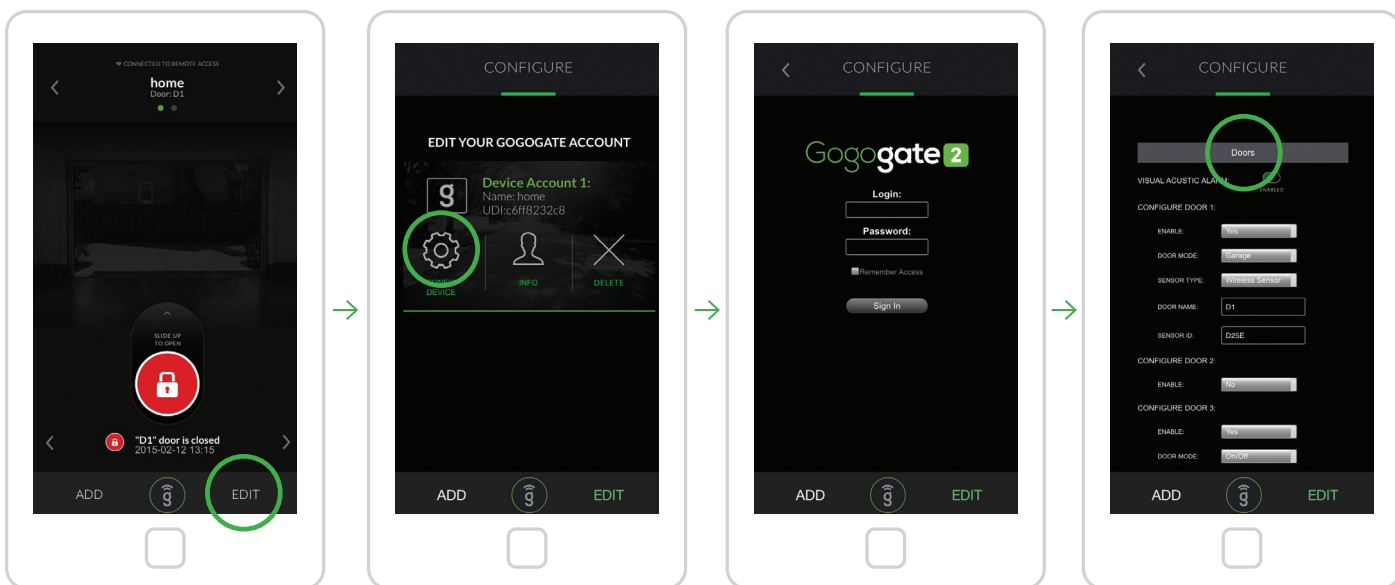


STEP 3 - PROGRAMMING SENSOR DURING GOGOGATE INITIAL INSTALLATION

Choose the **wired** sensor type during the "Begin Your Installation" process if you are willing to program a wired door sensor while installing a Gogogate2 device for the first time. Instructions on how to install a Gogogate2 for the first time can be found at www.gogogate.com or in the device Quick Start Guide.



STEP 4 - Programming additional sensors in your Gogogate2 (NB: If Gogogate2 is already configured).



Open the Gogogate app and select **"EDIT"**.

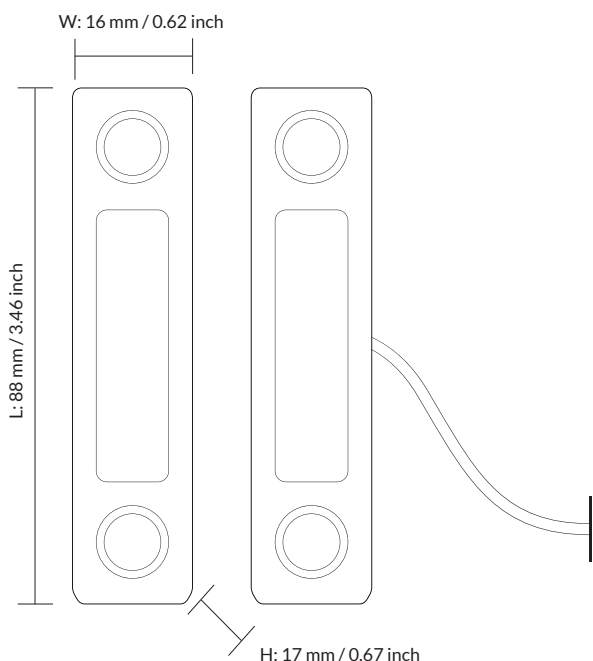
Select the Gogogate device you want to edit and choose the **"CONFIG DEVICE"** option.

Input your **Admin** login and password and Sign in.

Go to **"SETTINGS"** and select the **"Doors"** option.

IMPORTANT: Remote Access must be enabled to remotely edit the system from the internet.

SPECS



Main sensor's features:

- Remotely monitor if garage door is open or closed
- Receive real time alerts on your Smartphone or via email
- Easy to install magnetic sensor with double sided tapes
- Keep track of all garage door events in a built-in calendar of events.
- Ideal for sliding and swing gates. Compatible with roller doors too.

SPECS	GGG2-WDS
Operating Temperature	Between -20° C and +80° C
Max. Contact rating	10 W
Max. Switching voltage	100 Vdc
Max. Switching current	0.5 A
Max. Carrying current	1.0 A
Output	NO (Normally Open)
Usable Wire	24# AWG with 2 wires
Material	ABS
Contact Life	1 x 10 ⁸ times
Impermeability	Waterproof (IP65)

Regulatory notices

REMSOL has not approved any changes or modifications to this device by the user. Any changes or modifications could void the user's authority to operate the equipment. This device complies with Part 15 of the FCC Rules. Operation is subject to the following two conditions: (1) this device may not cause interference, and (2) this device must accept any interference, including interference that may cause undesired operation of the device. This device complies with FCCC radiation exposure limits set forth for an uncontrolled environment and meets the FCC radio frequency (RF) Exposure Guidelines. This transmitter must not be co-located or operating in conjunction with any other antenna or transmitter. This equipment has been tested and found to comply with the limits for a Class B digital device, pursuant to part 15 of the FCC Rules. These limits are designed to provide reasonable protection against harmful interference in a residential installation. This equipment generates, uses and can radiate radio frequency energy and, if not installed and used in accordance with the instructions, may cause harmful interference to radio communications. However, there is no guarantee that interference will not occur in a particular installation. If this equipment does cause harmful interference to radio or television reception, which can be determined by turning the equipment off and on, the user is encouraged to try to correct the interference by one or more of the following measures:

- Reorient or relocate the receiving antenna.
- Increase the separation between the equipment and receiver.
- Connect the equipment into an outlet on a circuit different from that to which the receiver is connected.
- Consult the dealer or an experienced radio/TV technician for help.

This device complies with Part 15 of the FCC Rules. Operation is subject to the following two conditions: (1) this device may not cause harmful interference, and (2) this device must accept any interference received, including interference that may cause undesired operation.